



The Heart of Industry

**IWAKI**

IWAKI  
MAGNETIC  
DRIVE GEAR  
PUMPS

**MDG**



Solutions for chemical handling applications

# Compact gear pumps that completely eliminate

Iwaki MDG Series pumps are small seal-less magnetic drive gear pumps engineered to provide the utmost in quiet and leak-free operation. Owing to their remarkable efficiency and compact design, MDG pumps are in wide use in hundreds of varied applications including some of the most sophisticated medical and laboratory equipment.



MDG-M4T6B

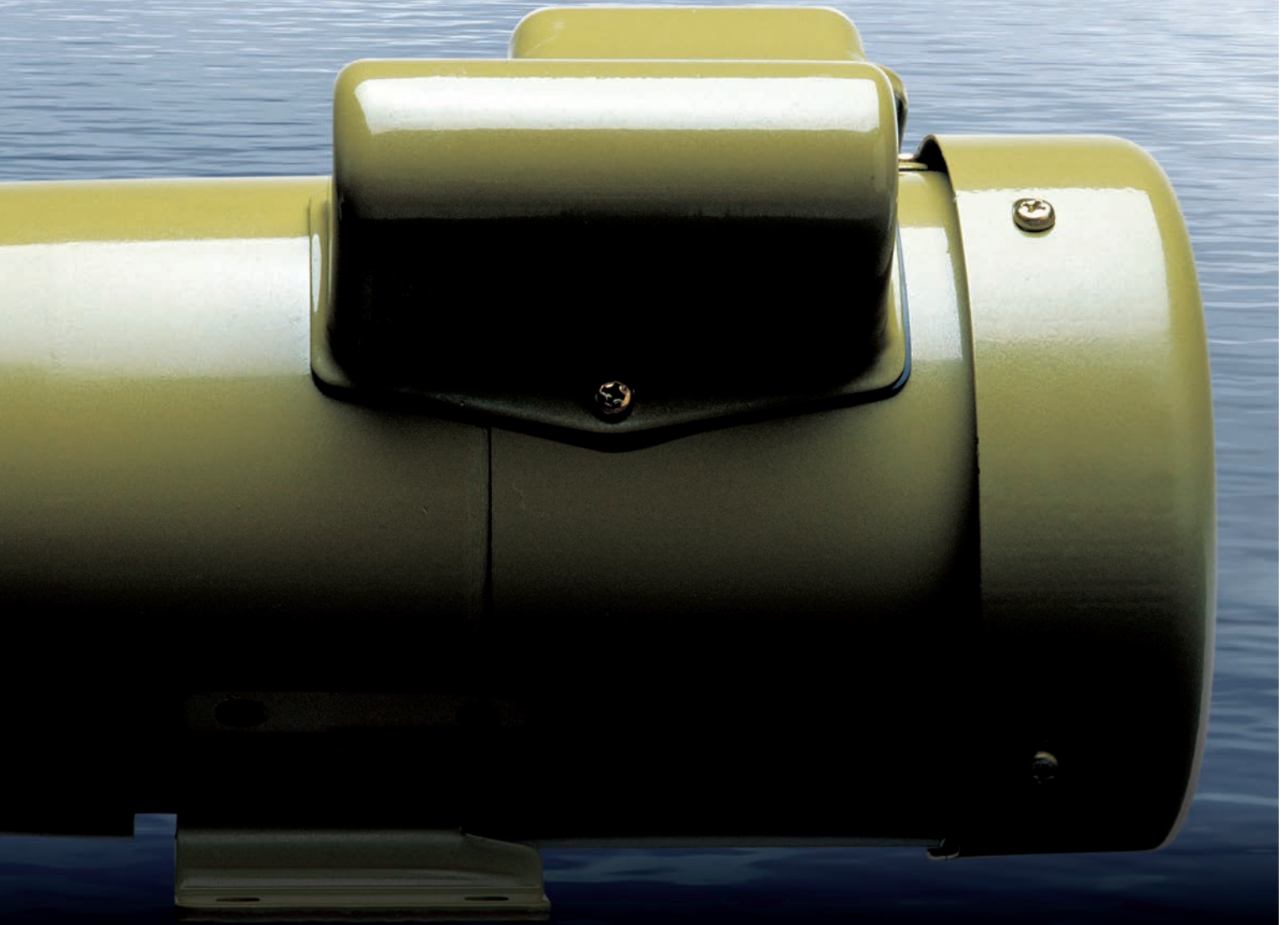
## Seal-less Construction Ideal for OEM Applications

Leak free and seal-less, the MDG Series pumps are ideal for incorporation into equipment. The magnet drive mechanism eliminates the troublesome shaft seal replacement.

## Outstanding Corrosion Resistance

The liquid end parts are manufactured from SUS316, PTFE, PPS and PEEK. This combination of materials offers extremely high levels of corrosion resistance thus making the MDG pumps capable of transferring many different aggressive chemical solutions.

# leakage problems



R2



MDG-R2RVB  
(shown with IEC motor)

R2  
DC24V type



MDG-R2BB

M2



MDG-M2S6B

R15



MDG-R15

## High Pressure Gear Rotary System

MDG pumps are characterized by high pressure and low flow rate. Despite its small size, it can attain high pressure to 0.6MPa and vacuum of 5.3kPa.

## Excellent Thermal Resistance

Precision machining coupled with Iwaki's innovative technology is used in the gear and body manufacturing process. Because only the most heat-resistant materials are used, pumping problems due to thermal expansion are eliminated. Standard MDG Series pumps are rated for 95°C operation.

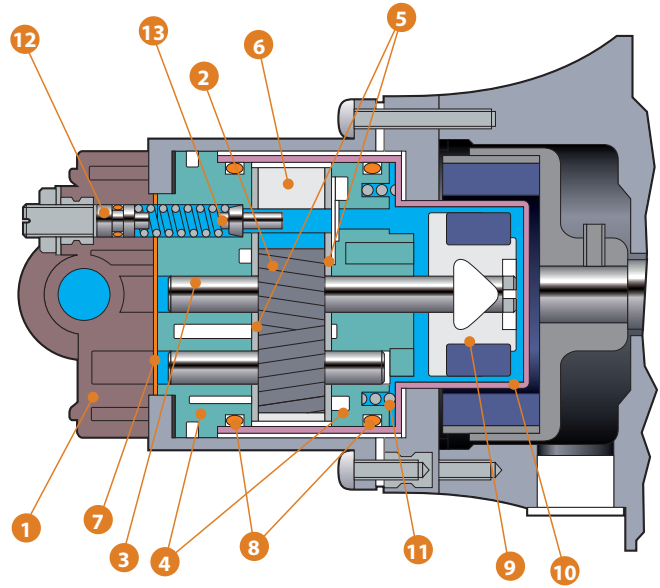
# R2



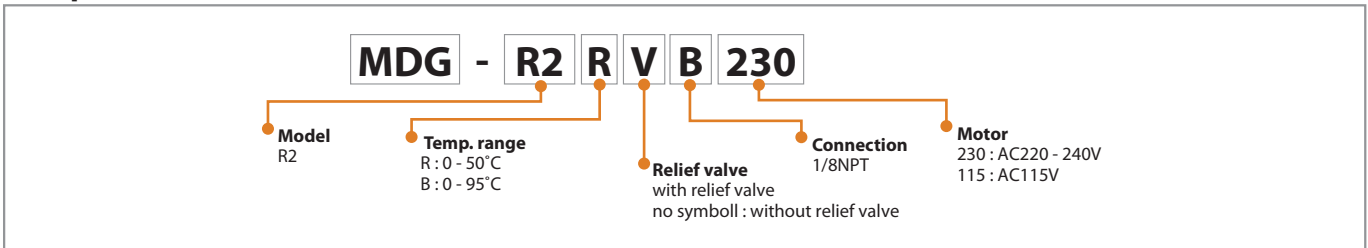
R2RVB230 / R2BVB230

## Construction and materials

No.	Name of Part	Materials
1	Pump head	GFRPPS
2	Gear	PPS
3	Shaft	SUS316
4	Bearing	(CF+PTFE) PPS
5	Plate	SUS316
6	Gear case	SUS316
7	Gasket seal	FKM
8	O ring	FKM
9	Magnet capsule	SUS316, GFRPPS
10	Rear casing	SUS316
11	Retaining spring	equivalent to SUS316
12	Adjusting screw	SUS316
13	Valve	(CF+PTFE) PPS



## Pump identification



## Specifications

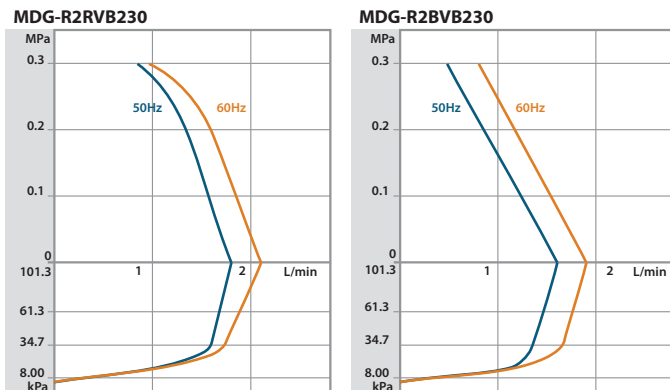
Standard motors fitted are to IWAKI specifications. All models are also available with IEC frame motors.

50/60Hz

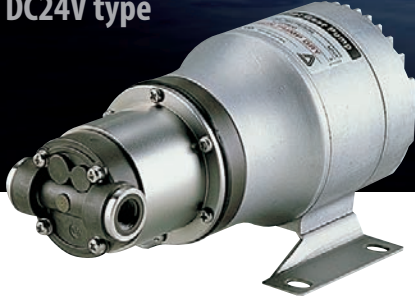
Model	Connection size	Max. capacity L/min	Max. discharge pressure MPa	Max. vacuum kPa (abs.)	Liquid temp. range °C	Viscosity limit mPa·s	Motor	Mass kg
MDG-R2RVB230	1/8NPT	1.8/2.1	0.3	5.3	0 - 50	50	AC220 - 240V, 20W	2.1
MDG-R2BVB230	1/8NPT	1.6/1.9	0.3	5.3	0 - 95	50	AC220 - 240V, 20W	2.1

- Pump performance will change depending on kind of liquid. Further information will be provided on request.
- When handling pure water and solvent, please contact us.
- When viscosity of handling liquid exceeds limitation of pump, please contact us.
- For applications requiring higher operating temperatures, please contact us.
- 115V motor is also available.

## Performance curves (Clear water at 25°C)



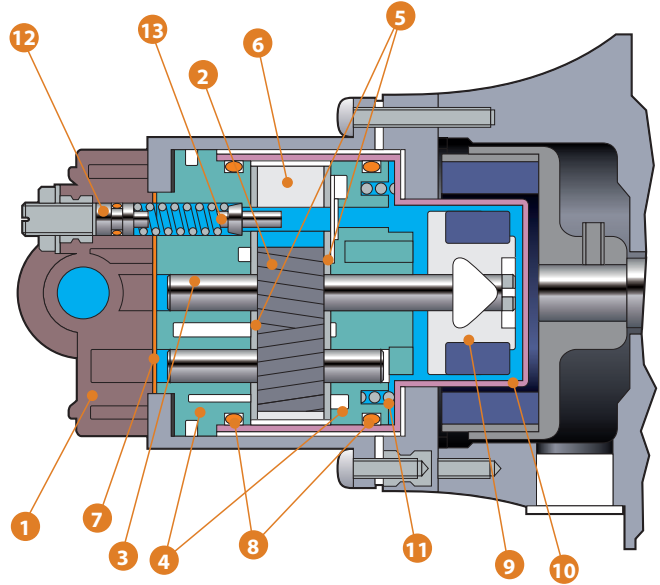
# R2 DC24V type



R2BB24 / R2RVA24H / R2RVB24H / R2RVC24H / R2BA24H / R2BB24H / R2BC24H

## Construction and materials

No.	Name of Part	Materials
1	Pump head	GFRPPS
2	Gear	PPS
3	Shaft	SUS316
4	Bearing	(CF+PTFE) PPS
5	Plate	SUS316
6	Gear case	SUS316
7	Gasket seal	FKM
8	O ring	FKM
9	Magnet capsule	SUS316, GFRPPS
10	Rear casing	SUS316
11	Retaining spring	equivalent to SUS316
12	Adjusting screw	SUS316
13	Valve	(CF+PTFE) PPS



## Pump identification

**MDG - R2 R V B 24H**

Model  
R2

Temp. range  
R : 0 - 50°C  
B : 0 - 95°C

Relief valve  
with relief valve  
no symbol : without relief valve

Connection  
1/8NPT Note

Motor  
24 : DC24V, 10W  
24H : DC24V, 14W

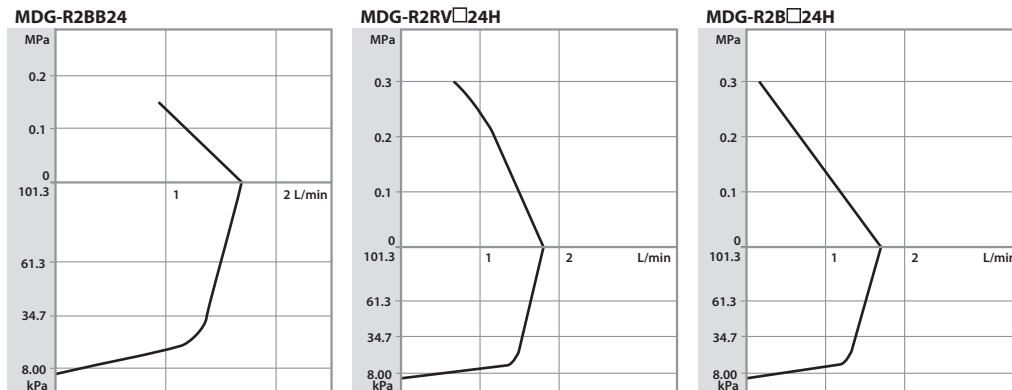
Note: Other connections (Rc1/8, G1/4) are also available on special request but for "-24H" models only.

## Specifications

Model	Connection size	Max. capacity L/min	Max. discharge pressure MPa	Max. vacuum kPa (abs.)	Liquid temp. range °C	Viscosity limit mPa·s	Motor	Mass kg
MDG-R2BB24	Rc1/8, 1/8NPT, G1/4	1.7	0.15	5.3	0 - 95	10	DC24V, 10W	1.2
MDG-R2RV□24H*		1.8	0.3		0 - 50		DC24V, 14W	
MDG-R2B□24H*		1.7			0 - 95			

- shows connection size. Please refer above table.
- Pump performance will change depending on kind of liquid. Further information will be provided on request.
- When handling pure water and solvent, please contact us.
- When viscosity of handling liquid exceeds limitation of pump, please contact us.
- Models marked with \* are manufactured to order only.

## Performance curves (Clear water at 25°C)



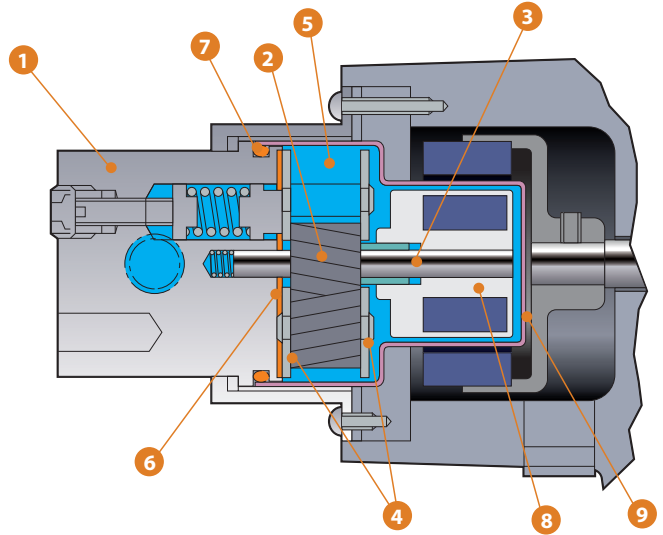
# M2 M4



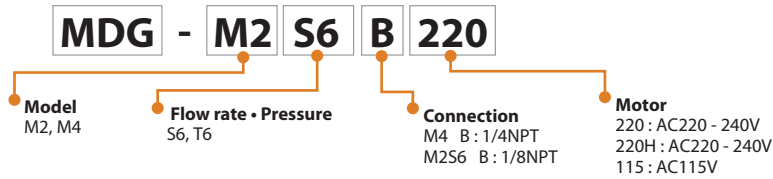
M2S6B220 / M4T6B220 / M4S6B220 / M4T6B220H

## Construction and materials

No.	Name of Part	Materials
1	Pump body	SUS316
2	Gear	CFRPEEK
3	Shaft	SUS316
4	Plate	SUS316
5	Gear case	CFRPEEK/PPS
6	Gasket	PTFE
7	O ring	FKM
8	Magnet capsule	SUS316, PPS
9	Rear casing	SUS316



## Pump identification



## Specifications

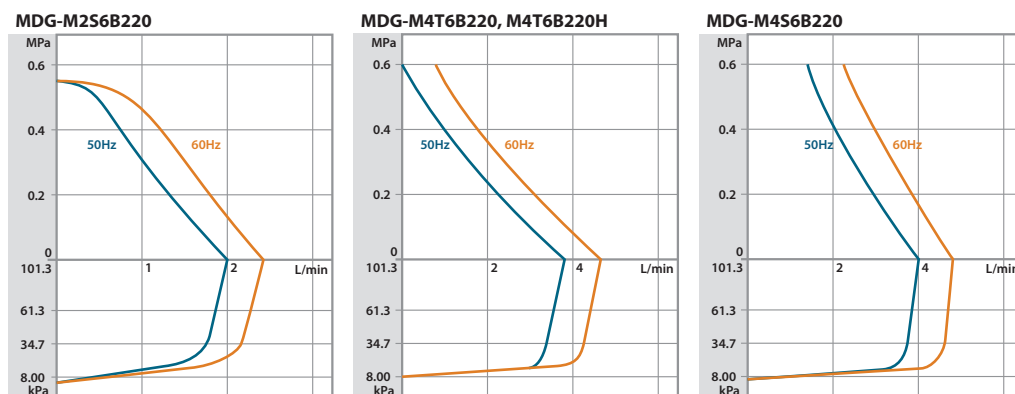
Standard motors fitted are to IWAKI specifications. All models are also available with IEC frame motors.

50/60Hz

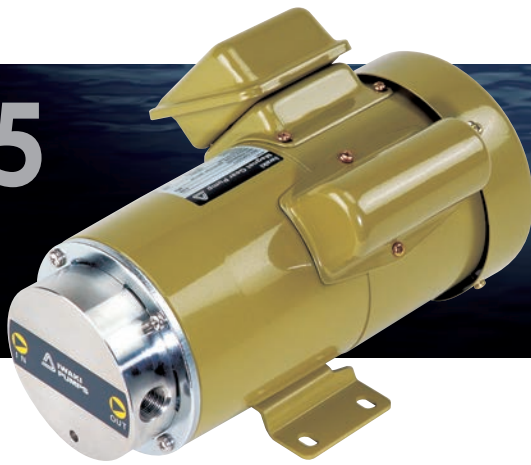
Model	Connection size	Max. capacity L/min	Max. discharge pressure MPa	Max. vacuum kPa (abs.)	Liquid temp. range °C	Viscosity limit mPa·s	Motor	Mass kg
MDG-M2S6B220	1/8NPT	2.0/2.4	0.55	5.3	0 - 65	50	AC220 - 240V, 45/50W	3.6
MDG-M4T6B220	1/4NPT	3.8/4.6	0.6	8.0	0 - 95	80	AC220 - 240V, 100/120W	7.9
MDG-M4S6B220	1/4NPT	4.0/4.8	0.6	5.3	0 - 50	30	AC220 - 240V, 100/120W	7.9
MDG-M4T6B220H	1/4NPT	3.8/4.6	0.6	8.0	0 - 95	200	AC220 - 240V, 150/180W	8.0

- Pump performance will change depending on kind of liquid. Further information will be provided on request.
- When handling pure water and solvent, please contact us.
- When viscosity of handling liquid exceeds limitation of pump, please contact us.
- 115V motor is also available.

## Performance curves (Clear water at 25°C)



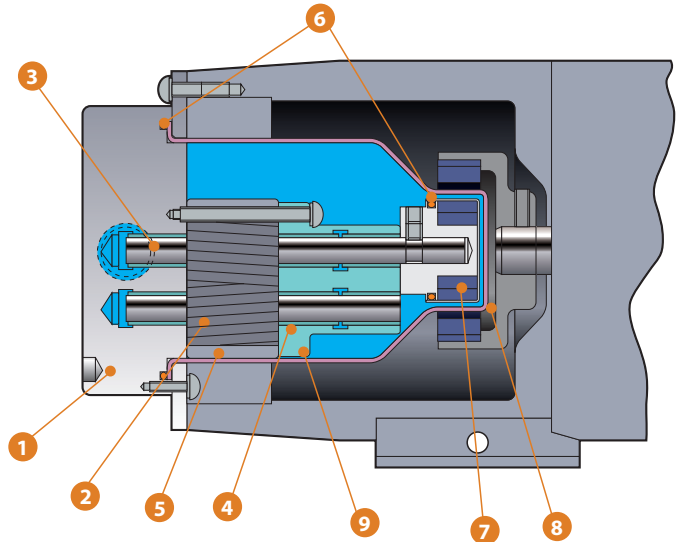
# R15



R15T220 / R15P220 / R15K220 / R15C220

## Construction and materials

No.	Name of Part	Materials
1	Pump body	SUS316
2	Gear	PTFE/PEEK
3	Shaft	SUS316
4	Bearing	GFRPTFE, (CF+PTFE) PPS
5	Gear case	SUS316
6	O ring	FKM
7	Magnet capsule	SUS316, FKM
8	Rear casing	SUS316
9	Bearing holder	SUS316



## Pump identification

**MDG - R15 T 220**

Model  
R15

Material of gear /Temp. range  
 T : PTFE gear, GFRPTFE bearing/ 0-45°C  
 P : PEEK gear, (CF+PTFE) PPS bearing/ 0-45°C  
 K : PTFE gear, GFRPTFE bearing/ 0-95°C  
 C : PEEK gear, (CF+PTFE) PPS bearing/ 0-95°C

Motor  
 220 : AC220 - 240V  
 115 : AC115V

## Specifications

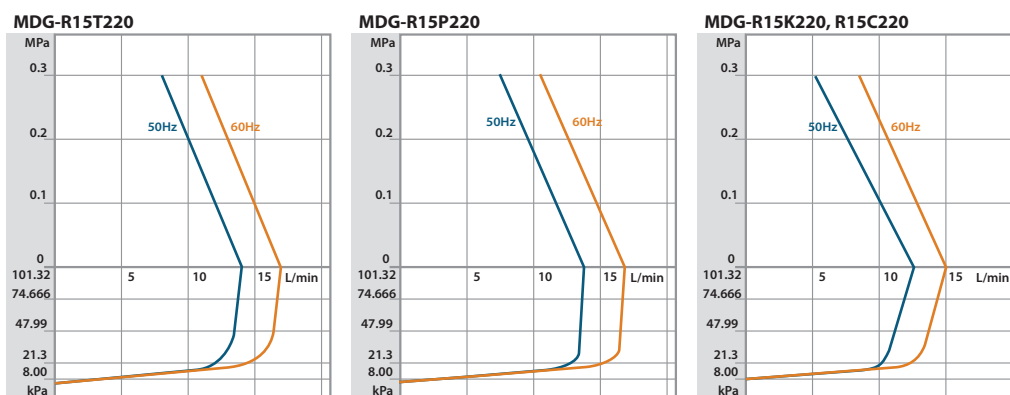
Standard motors fitted are to IWAKI specifications. All models are also available with IEC frame motors.

50/60Hz

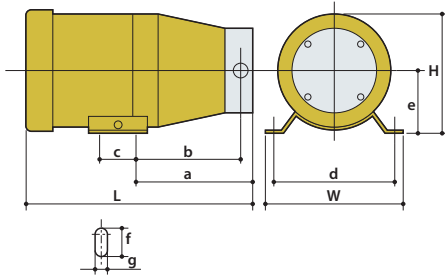
Model	Connection size	Max. capacity L/min	Max. discharge pressure MPa	Max. vacuum kPa (abs.)	Liquid temp. range °C	Viscosity limit mPa·s	Motor	Mass kg
MDG-R15T220	Rc3/8	14/17	0.3	5.3	0 - 45	30	AC220 - 240V,150/180W	7.8
MDG-R15P220								
MDG-R15K220	Rc3/8	12.5/15	0.3	8.0	0 - 95	30	AC220 - 240V,150/180W	7.8
MDG-R15C220								

- Pump performance will change depending on kind of liquid. Further information will be provided on request.
- When handling pure water and solvent, please contact us.
- When viscosity of handling liquid exceeds limitation of pump, please contact us.
- 115V motor is also available.

## Performance curves (Clear water at 25°C)



**Dimensions in mm**



• Dimensions of models fitted with IEC motors differ from above.

Model	W	H	L	a	b	c	d	e	f	g
MDG-R2□□□□	106	83	202	101.5	91.3	44	90	45	10	6
MDG-R2BB24	90	80.5	161	81	71	44	75	45	10	6
MDG-R2□V24H*	90	80.5	161	81	71	44	75	45	10	6
MDG-M2S6B□	120	105	213	114	98	40	100	60	ø9	-
MDG-M4□6B□	130	122.5	242	120	107	40	110	65	11	7
MDG-M4□6B□H	130	132.5	239	120	107	40	110	65	11	7
MDG-R15□220	130	155	257	97	84	40	110	65	11	7

Note: Models marked with \* are manufactured to order only.

**Applications in Various Fields**

**Dialyser**      **Plasma etching units**      **Freon recovery and regeneration systems**      **Demineralizer**

- **Medical appliances**  
Dialyser • Laser-applied surgical knife and other laser-applied medical treatment units • X-ray film processors
- **Semiconductor or liquid crystal manufacturing equipment**  
Laser-applied machining units • Plasma etching units • Pure-water or solvent use washing machines • Soldering machines • IC testing units
- **Printing equipment**  
Blanket auto washers • Automatic markers
- **Food processing equipment**  
Noodle producing machines • Water coolers • Freshness preservation units for food
- **Waste liquid recovery and processing equipment**  
Freon recovery and regeneration systems • Photographic chemical waste processing units • Organic solvent recovery units
- **Others**  
Pure-water producing machines • Oil circulation and filtering units • Liquid adding machines for pasturage • Hydroponic systems • Spraying machines for agricultural chemicals • Dye laser units • Fuel cells • Machines applied in physics and chemistry • Laboratories or experimental facilities



<https://www.iwaki.de>

IWAKI Europe GmbH, Siemensring 115, 47877 Willich, Germany

TEL: +49 2154 9254 0 FAX: +49 2154 9254 48 E-Mail: sales@iwaki.de

⚠ Caution for safety use:  
Before use of pump, read instruction manual carefully to use the product correctly.

Actual pumps may differ from the photos. Specifications and dimensions are subject to change without prior notice. For further details please contact us.

⚠ Legal attention related to export.

Our products and/or parts of products fall in the category of goods contained in control list of international regime for export control. Please be reminded that export license could be required when products are exported due to export control regulations of countries.

The posting and copying from this catalogue without permission is not accepted firmly.